

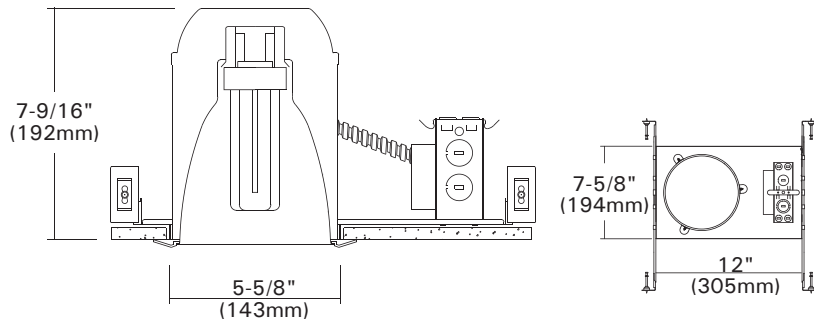
# DLF-205

## 5" NON-IC Vertical Housing For

### 13W, 18W, 26W or 32W DTT/TTT Lamps

Catalog #		Type
Project		Date
Prepared by		

**FLUORESCENT**



**Ceiling Cut-out : 5-3/4"  
Lamp, Max. Watt. : 32W**

### DESCRIPTION & APPLICATION

The DLF-205 is a 5" aperture housing for (1) vertical CFL lamps. The DLF-205 is designed for use in both non-insulated and insulated ceilings. Insulation material must be kept a minimum of 3" from all sides of the housing.

### DESIGN FEATURES

#### • Housing

- Single wall aluminum housing.
- 7-9/16" height allows use in 2" x 8" joist construction.
- Housing adjusts for ceilings up to 1-1/4" thick.

#### • Junction Box

- Listed for through branch circuit wiring. (Max. 8 No 12 AWG 90°C branch circuit conductors. (4 in, 4 out)
- (5) 1/2" knockouts with true pry-out slots and (4) knockouts with Romex cable clamp.
- Ground wire provided on J-box.

#### • Reflector

- Anodized clear, haze, gold, champagne, pewter color finished full reflectors. And anodized reflectors with black or white milled groove baffle collar.

#### • Trim

- White plastic ring or plated chrome, satin nickel, polished brass, natural steel color ring.

#### • Mounting Frame

- Galvanized steel construction.
- 12"L x 7-5/8"W

#### • Socket

- G24Q/GX24Q base socket for use 4pin DTT or TTT lamps.
- (2) legs spring clip snaps into socket hole on the top of all of type "-A" trims.

#### • Bar Hangers

- Maximum extension of 24" allows for extra distance between joists.
- Housing can be positioned at any point within 24" joist span.

- Score lines allow "toolless" shortening for 12" joists. Bar hangers may be repositioned 90 degrees.
- Integral T-bar clips snaps onto T-bars and no additional clips are required.

#### • Just-A-Nail

- Pre-installed nail bars with vertical slots are used to evenly align the bars horizontally after nailing halfway into wood joists.

#### • Lamp

- Compact Fluorescent lamps.
  - \* DTT-Double twin tube (Quad/CFQ)
    - (1) 13W DTT (4 pin)
    - (1) 18W DTT (4 pin)
    - (1) 26W DTT (4 pin)
  - \* TTT-Triple Twin Tube (CFTR)
    - (1) 18W TTT (4 pin)
    - (1) 26W TTT (4 pin)
    - (1) 32W TTT (4 pin)

#### • Ballast

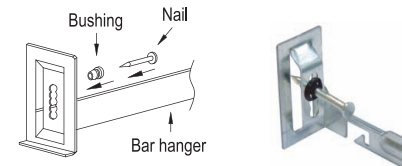
- Class P Thermally protected by internal fuse (3 amp fast blow), Multi-volt electronic ballast or thermal switch in magnetic ballast.
- High Power Factor Multi-volt Electronic ballasts for 4 pin type compact fluorescent lamps or Magnetic ballast for 2 pin lamps mounted on J-box door for easy access from inside of fixture.

#### \* Listing

- UL, c-UL listed for damp location.
- UL, c-UL listed for feed through.

#### • Just-A-Nail

Adjustable nail hanger bar for easy alignment.



**JUST-A-NAIL**

#### • Optional "Quick Connect" Push-in wire connectors.

- Three "Quick Connectors"
- Pre-installed push-in wire connectors for fast and easy wiring.

### Ordering Information

Housing	Ballast	Lamp(s) Watt.	Option
DLF-205	-N : 120V NPF Magnetic -H : 120V HPF Magnetic -NE : 120V NPF Electronic -HE : 120V HPF Electronic	-E : 120V/277V HPF Electronic  113 : (1)13W 118 : (1)18W 126 : (1)26W 132 : (1)32W	-EM : Emergency w/ Remote Test Switch -C : Quick Connectors

Example : DLF-205-NE113

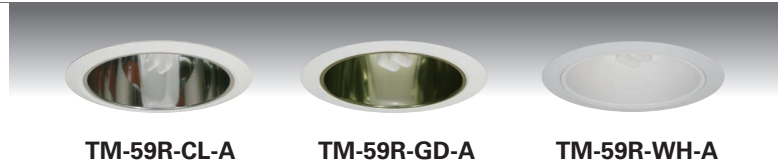
# Trims

## 5" Compact Fluorescent Trims For DLF-205, DLF-205R, ICF-205A, ICF-205RA

Catalog #		Type
Project		Date
Prepared by		

### FLUORESCENT

**TM-59R-A** Specular Reflector  
*NON-IC : 26W DTT, TTT*  
*IC : 18W DTT, TTT*  
White Plastic Trim Ring  
O.D : 6-11/16"



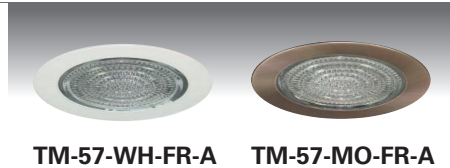
**TM-115-A**  
Clear Reflector w/ Baffle  
*NON-IC : 26W DTT, TTT*  
*IC : 18W DTT, TTT*  
White Plastic Trim Ring  
O.D : 6-11/16"



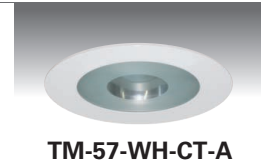
**TM-57-AL-A**  
Albalite Lens with Reflector  
*18W DTT, TTT*  
White Metal Trim Ring  
O.D : 6-11/16"



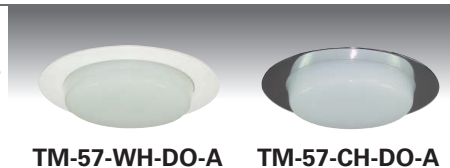
**TM-57-FR-A**  
Fresnel Lens w/ Reflector  
*18W DTT, TTT*  
White Metal Trim Ring  
O.D : 6-11/16"



**TM-57-CT-A**  
Frosted Lens w/ Clear Center  
*18W DTT, TTT*  
White Metal Trim Ring  
O.D : 6-11/16"



**TM-57-DO-A**  
Drop Opal Lens w/ Reflector  
*18W DTT, TTT*  
White Metal Trim Ring  
O.D : 6-11/16"



**TM-56-A**  
Round Opal Lens w/ Reflector  
*18W DTT, TTT*  
White Plastic Trim Ring  
O.D : 6-11/16"



**TM-255B-A** Decorative Frosted Glass w/ Baffle  
*NON-IC : 26W DTT, TTT*  
*IC : 18W DTT, TTT*  
Die-Cast Construction  
O.D : 6-11/16"



**TM-255C-A** Decorative Frosted Glass w/ Reflector  
*NON-IC : 26W DTT, TTT*  
*IC : 18W DTT, TTT*  
Die-Cast Construction  
O.D : 6-11/16"



### ORDERING INFORMATION

Choose the catalog / finish codes that best suit your needs and enter it on the appropriate line.

TRIM MODEL	REFLECTOR	BAFFLE	METAL RING
	CL :Clear	WH :White	WH :White
	WH :White	BK :Black	BK :Black
	GD :Gold	SN :Satin Nickel	SN :Satin Nickel
	MA :Matte Platinum	AN :Antique Nickel	AN :Antique Nickel
	CP :Champagne	AC :Antique Copper	AC :Antique Copper
	PR :Pewter	MO :Mocha	MO :Mocha
	HC :Haze Clear	CA :Cappuccino	CA :Cappuccino
		CH :Chrome	CH :Chrome
		UN :Natural Steel	UN :Natural Steel
		PB :Polished Brass	PB :Polished Brass

Examples:  
TM-56-UN-A- = Opal Lens w/ Unfinished Metal Ring